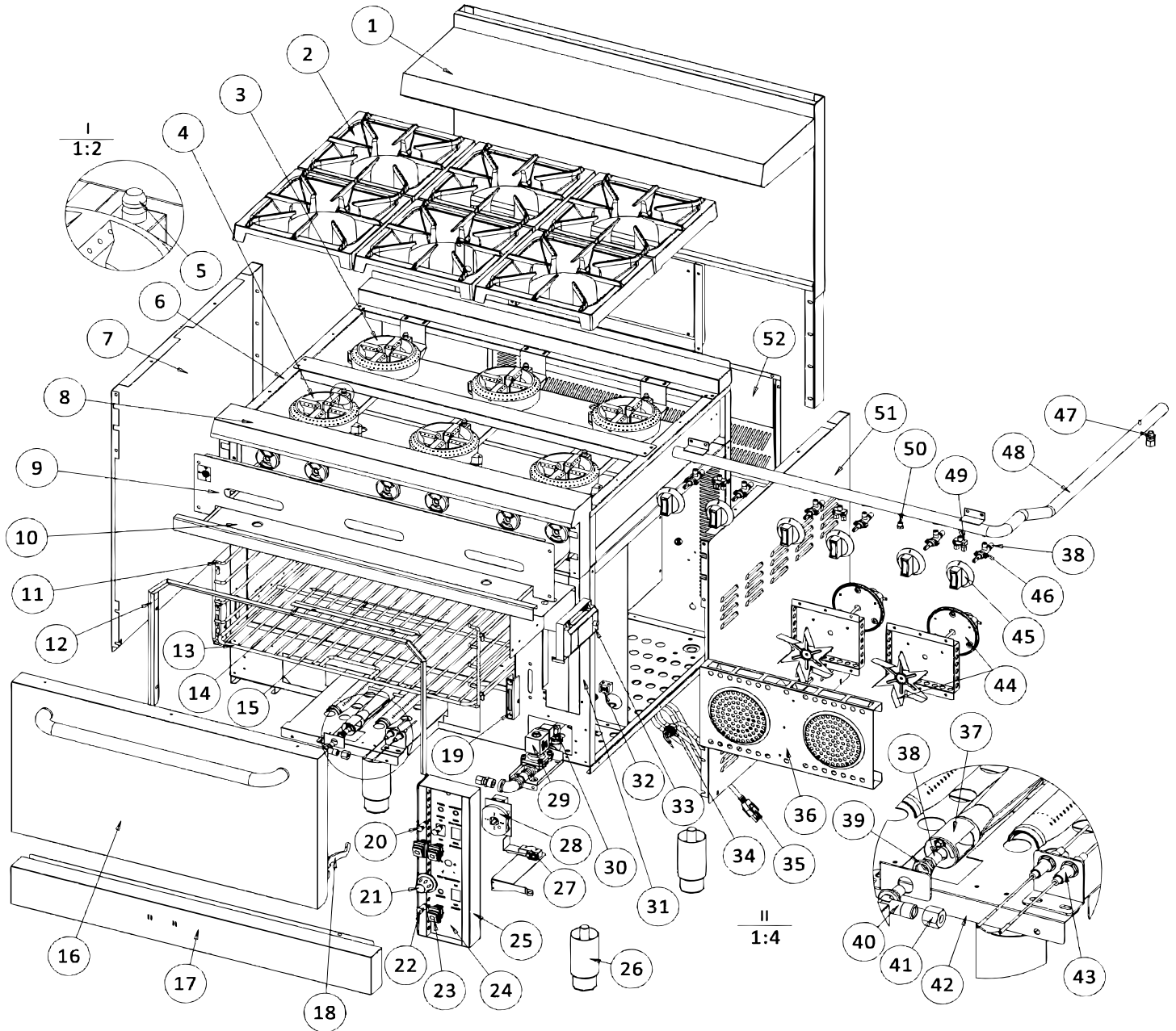


Parts Breakdown

Model CE-CN-0914-LC 47450





Parts Breakdown

Model CE-CN-0914-LC 47450

Item No.	Description	Position	Item No.	Description	Position	Item No.	Description	Position
AJ571	Top Burner Grate for 47450	2	AJ583	Fascia Panel for 47450	24	AJ595	Oven Nozzle for 47450	38
AJ572	Long Burner Assembly for 47450	3	AJ584	Stainless Steel Adjustable Leg for 47450	26	AJ596	Flat Nut for 47450	39
AJ573	Short Burner Assembly for 47450	4	AH179	Swivel Caster for 47450	26a	AJ597	Nozzle Connecting Elbow for 47450	40
AJ574	Pilot for 47450	5	AJ585	Travel Switch for 47450	27	AJ598	Elbow Nut for 47450	41
AJ575	Oven Baking Grid Shelf for 47450	11	AJ586	Oven Digital Thermostat for 47450	28	AJ599	Electrode for 47450	43
AJ576	Oven Baking Grid for 47450	13	AJ587	Solenoid Valve for 47450	29	AJ600	Motor Assembly for 47450	44
AJ577	Thermostat Sensor for 47450	15	AJ588	1/2-10 Pipe Connector for 47450	30	AJ601	Top Burner Knob for 47450	45
AJ578	Oven Door Hinge (Insert to the Door) for 47450	18	AJ589	Terminal Block for 47450	32	AJ602	Top Burner Control Valve for 47450	46
AJ579	Oven Door Hinge Bracket for 47450	19	AJ590	Ignitor for 47450	33	AJ603	1/4-10 Pipe Connector for 47450	47
AJ580	Oven Power Indicator for 47450	20	AJ591	Power Cord Sheath for 47450	34	AJ604	Pilot Valve for 47450	49
AJ581	Oven Thermostat Valve Knob for 47450	21	AJ592	Power Cord for 47450	35	AJ605	Test Plug for 47450	50
AD711	Working Indicator for 47450	22	AJ593	Air Deflector Assembly for 47450	36			
AJ582	Power Switch for 47450	23	AJ594	Oven Burner for 47450	37			